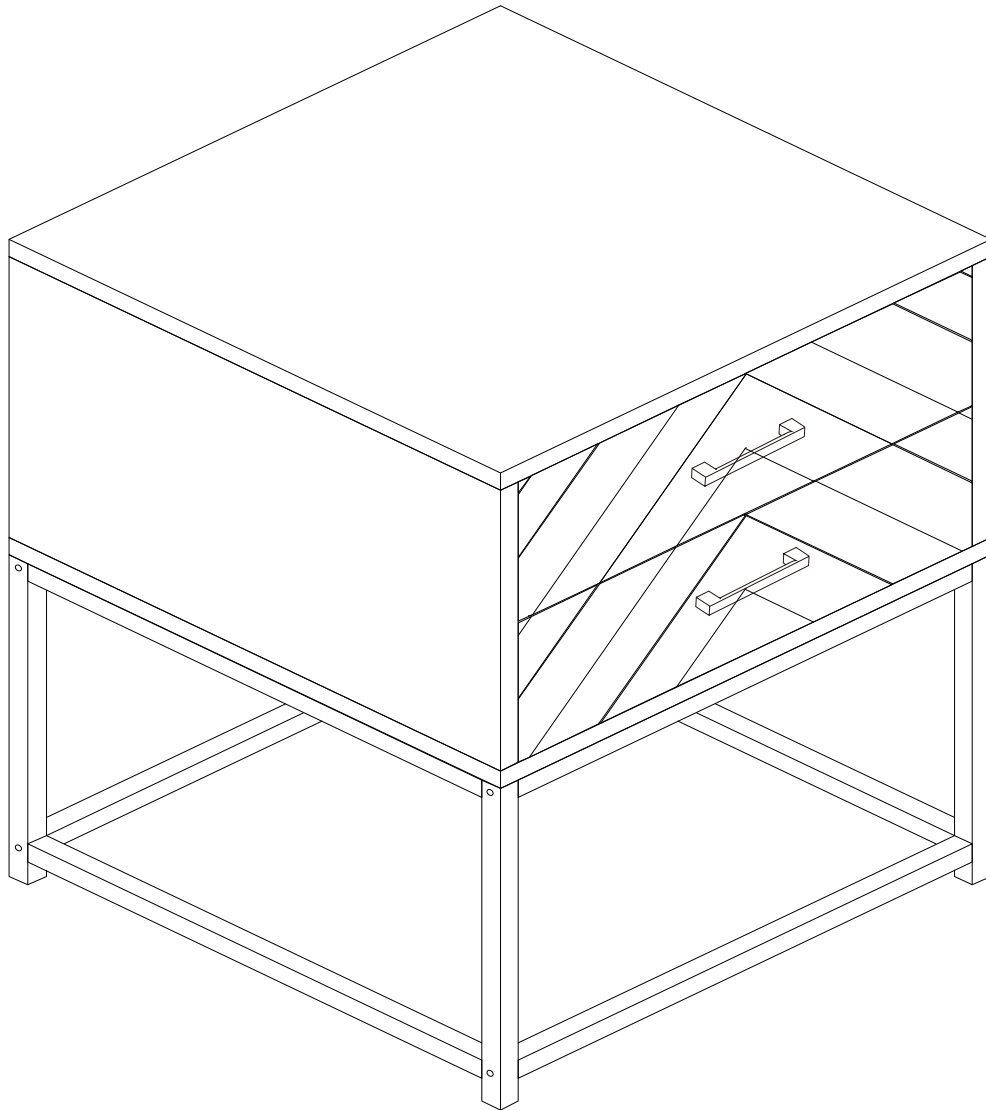

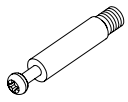
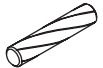
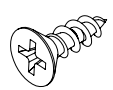
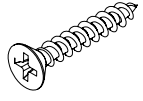
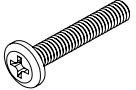
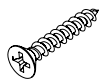
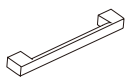
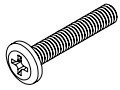
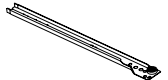

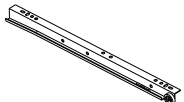
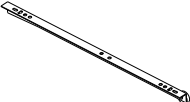


NIGHT STAND

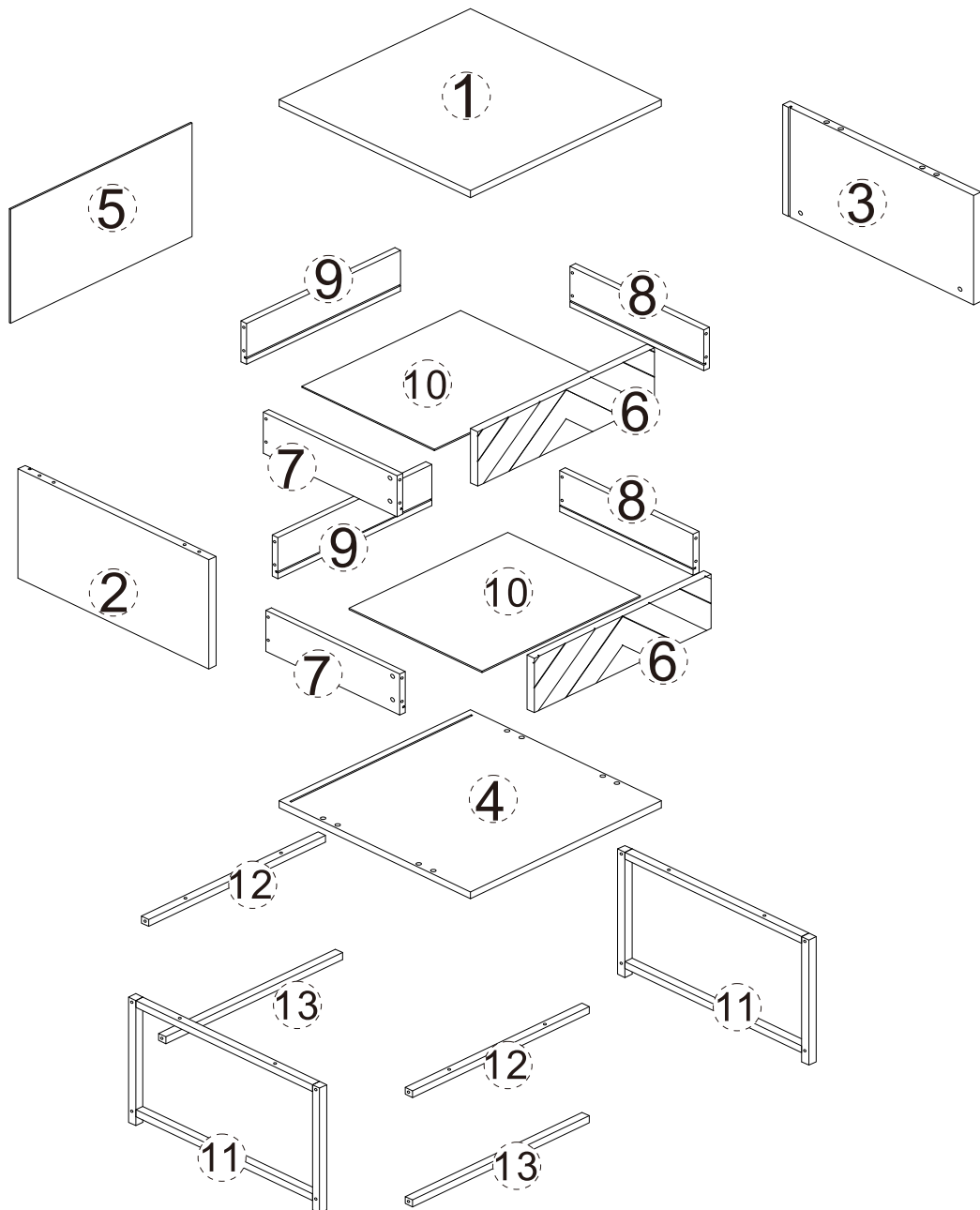


ASSEMBLY INSTRUCTION

HARDWARE LIST

A 12 PCS		B 12 PCS		C 8 PCS		D 16 PCS		E 4 PCS	
F 8 PCS		G 16 PCS		H 2 PCS		I 4 PCS		CL 2 PCS	
CR 2 PCS		DL 2 PCS		DR 2 PCS					

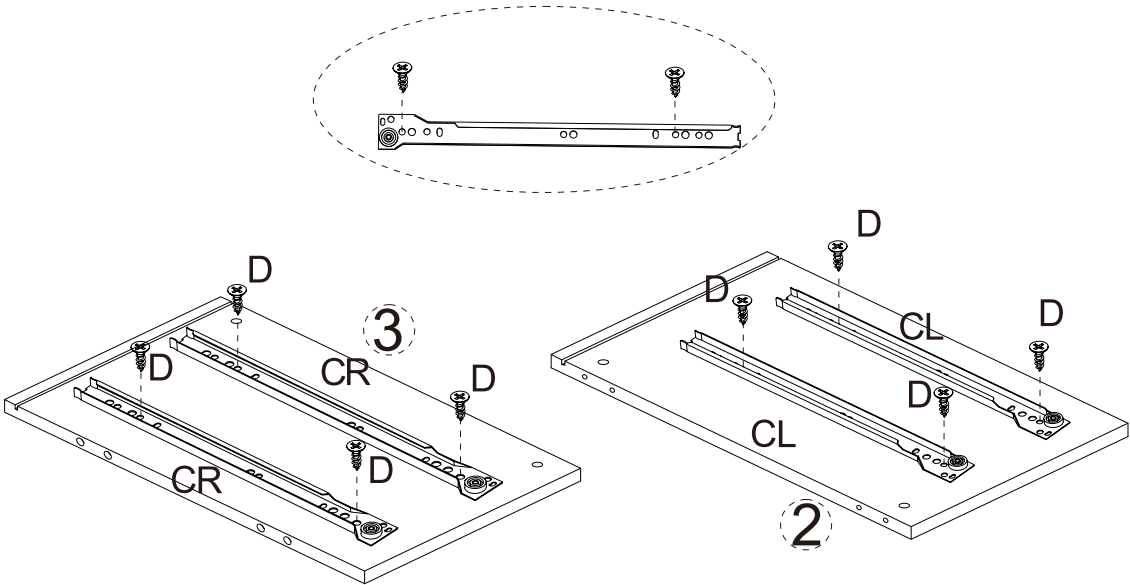
PARTS LIST



ASSEMBLY STEPS

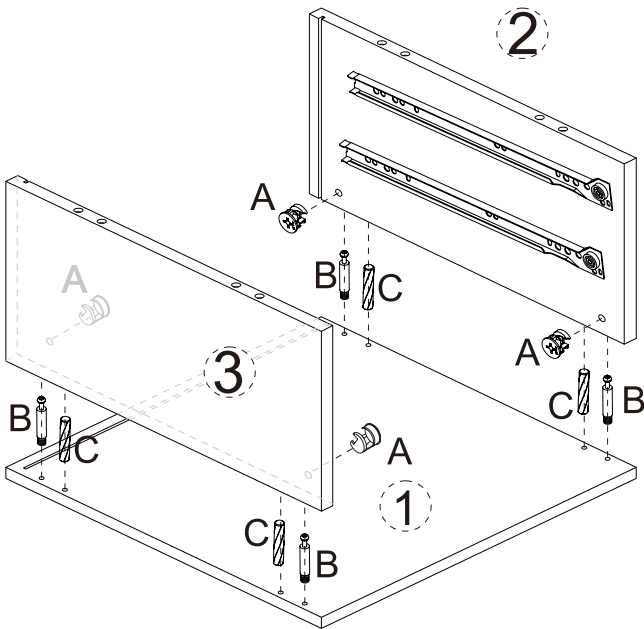
STEP 1.

Fix outer drawer runners (CL) and (CR) to parts 2 and 3 using screws (D), as shown.



STEP 2.

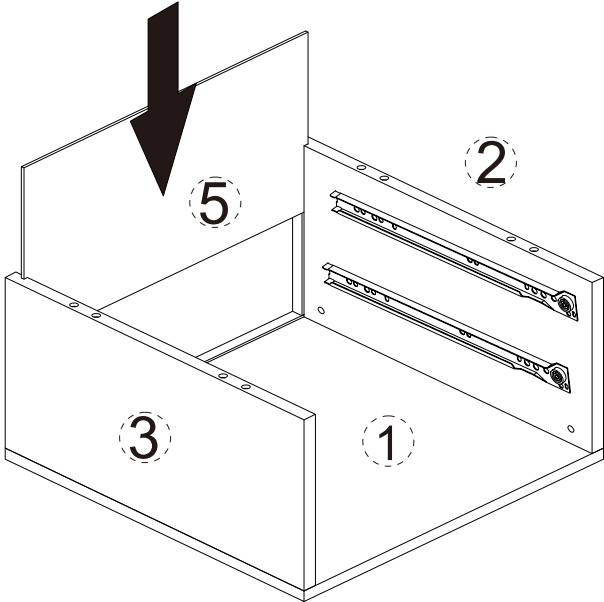
Insert quickfit screws (B) and wooden dowels (C) into part 1.
Insert cam locks (A) into parts 2 and 3.
Fit parts 2 and 3 to part 1, as shown.
Turn cam lock clockwise to tighten.



ASSEMBLY STEPS

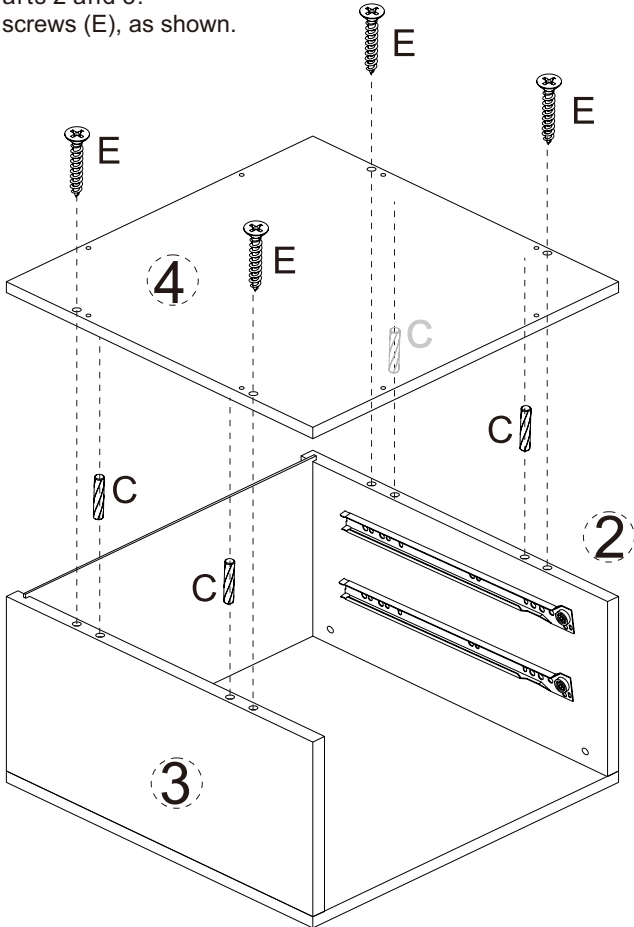
STEP 3.

Slide part 5 into grooves between parts 2, 3 and 1, as shown.



STEP 4.

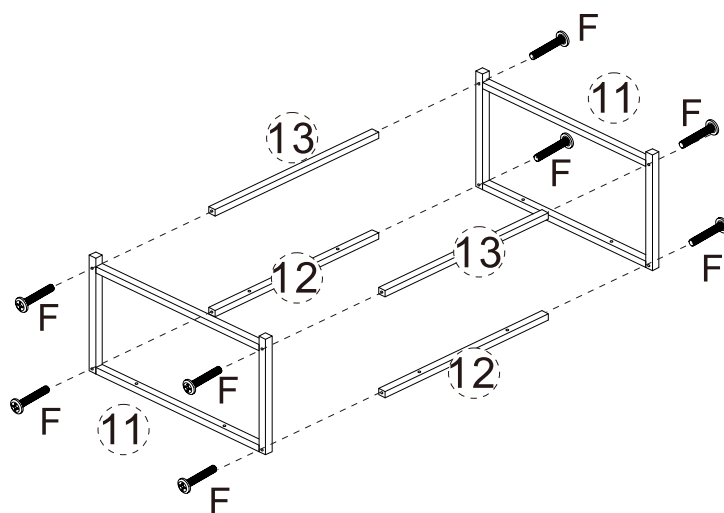
Insert wooden dowels (C) into parts 2 and 3.
Fix part 4 to assembled unit using screws (E), as shown.



ASSEMBLY STEPS

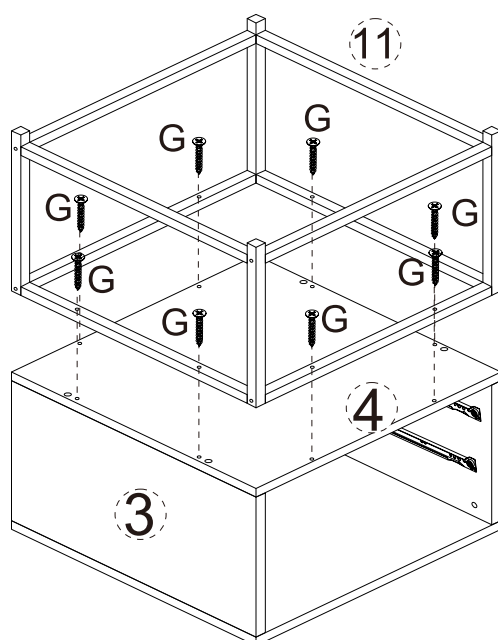
STEP 5.

Fix parts 11 to parts 12 and 13 using screws (F), as shown.



STEP 6.

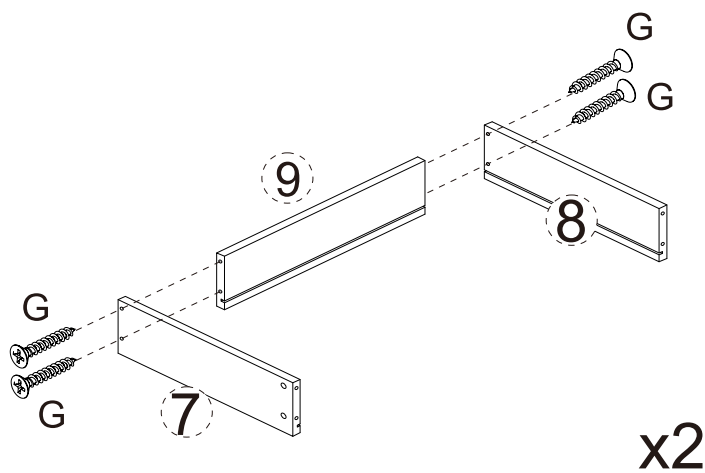
Fix iron frame to part 4 using screws (G), as shown.



ASSEMBLY STEPS

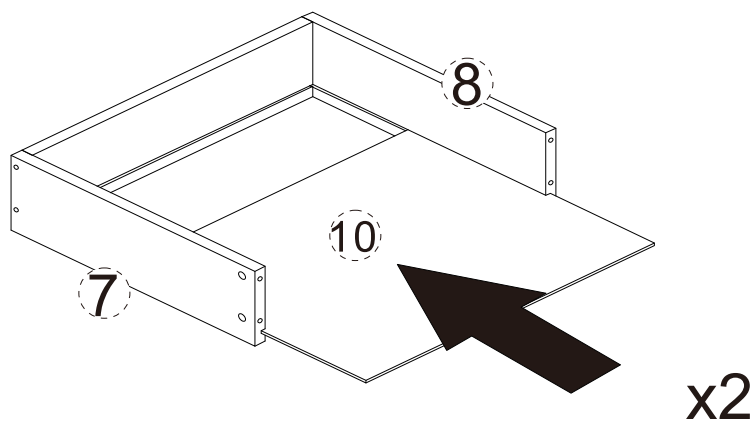
STEP 7.

Fix parts 7 and 8 to parts 9 using screws (G), as shown.



STEP 8.

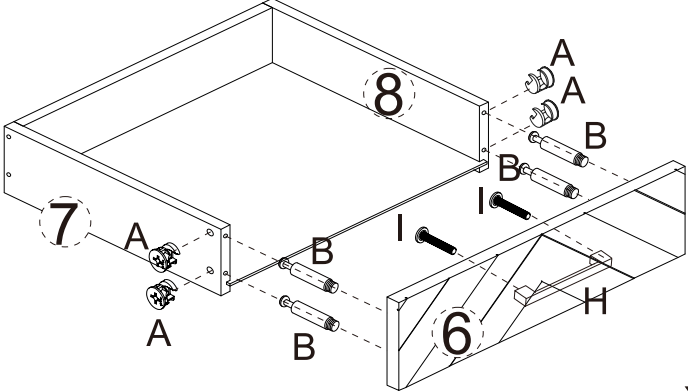
Slide parts 10 into grooves between parts 7, 8 and 10, as shown.



ASSEMBLY STEPS

STEP 9.

Fix handles (H) to parts 6 using screws (I), as shown.
 Insert quickfit screws (B) into parts 6.
 Insert cam locks (A) into parts 7 and 8.
 Fit parts 6 to parts 7 and 8, as shown.
 Turn cam lock clockwise to tighten.

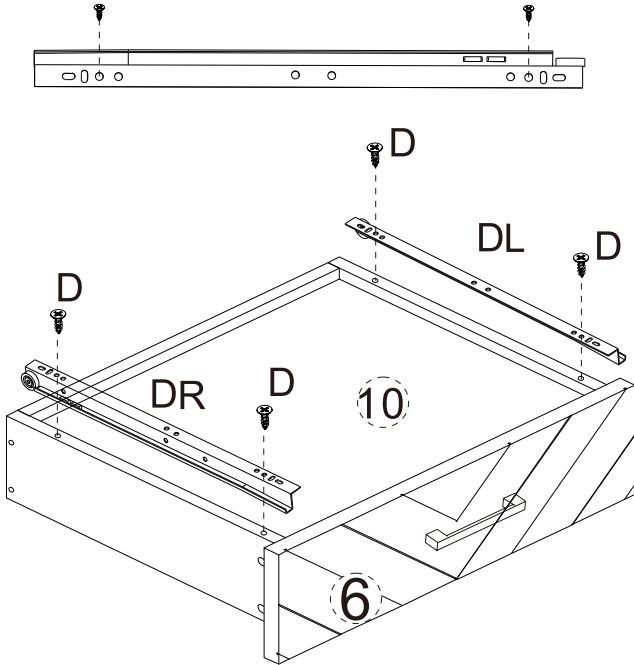


x2



STEP 10.

Fix inner drawer runners (DL) and (DR) to assembled drawers using screws (D), as shown.



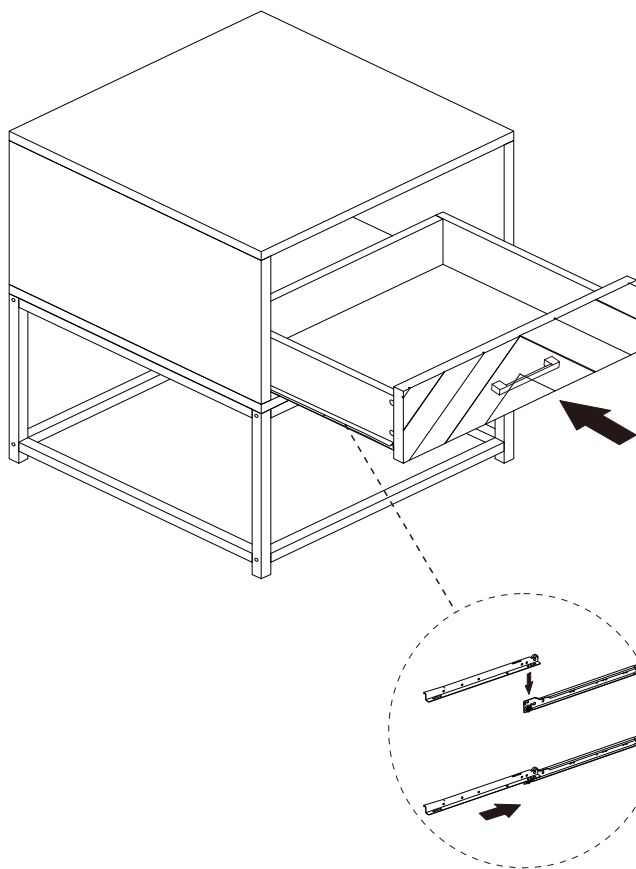
x2



ASSEMBLY STEPS

STEP 11.

Fit drawer into assembled unit, as shown.



STEP 12.

Fit drawer into assembled unit, as shown.
Your night stand is ready for use now.

